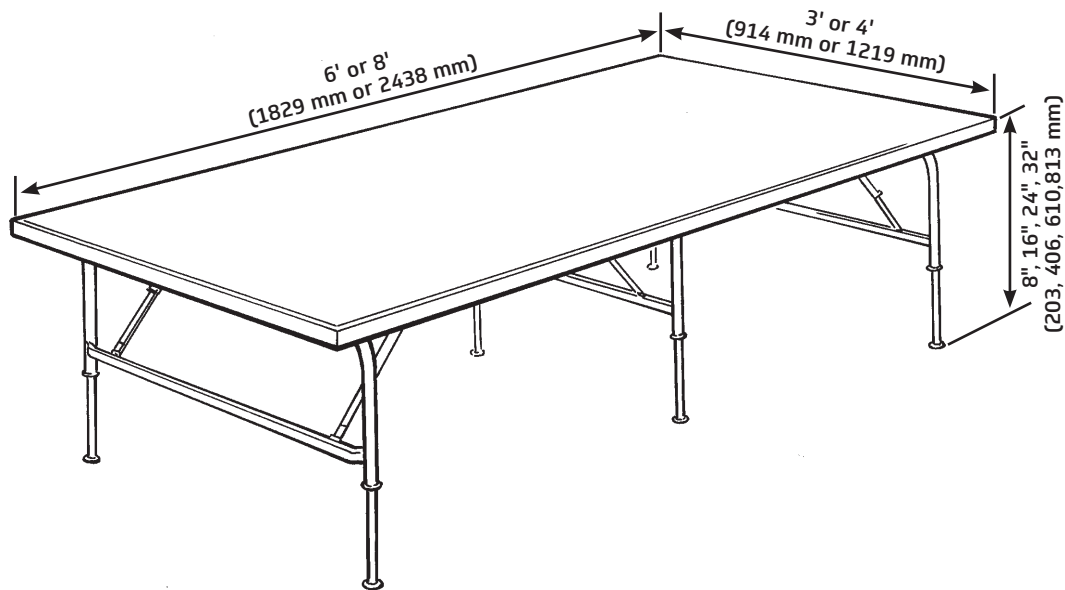


Trouper® Platforms

- Decks are available in the following sizes:
4' x 8' (1219 x 2438 mm), 4' x 6' (1219 x 1829 mm), 3' x 8' (914 x 2438 mm),
3' x 6' (914 x 1829 mm), choral pies-3' (914 mm) depth, band/orchestra pies-4' (1219 mm) depth
- Rectangular decks are available in the following heights: 8" (203 mm) fixed height,
16" (406 mm) fixed height, 24" (610 mm) fixed height, 32" (813 mm) fixed height,
16"/24" (406/610 mm) dual height, 24"/32" (610/813 mm) dual height
- Folds flat to a storage height of 2-5/8" (67 mm)
- Decks are available in the following surfaces:
Black: 3/4" (19 mm) 7-ply plywood with a black slip resistant thermally fused overlay
Grey carpet: 3/4" (19 mm) 7-ply plywood with 1/8" (3 mm) (approximate pile height) manufacturer's standard grey carpet
- Legs are one-piece, 16-gauge, 1-1/4" (32 mm) tubular steel with a reinforcing cross member; legs are designed to open in one motion and are automatically locked in place by a spring-loaded clip
- Wrap around 16-gauge steel provides strength and protects the deck edge from damage
- Frame clamps are a quick cam-type lock for positive locking to the frame of the adjacent unit; one clamp per side of each stage unit, which provides two clamps per side when units are locked together
- Five year warranty



Accessories

Transport Carts

- Six, eight, and twelve unit storage/transport carts are available
- Twelve unit cart suggested when storing/transporting non-rectangular units
- Three, six, and twelve unit carts fit through a 36" (914 mm) door; eight-unit cart requires a double door

Stairways

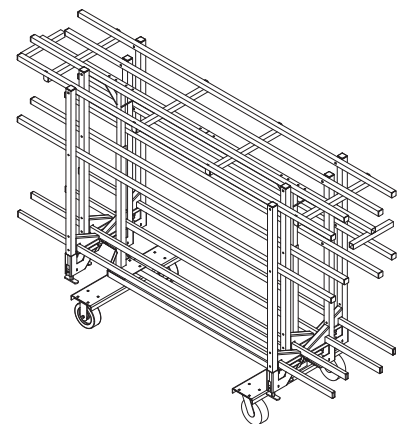
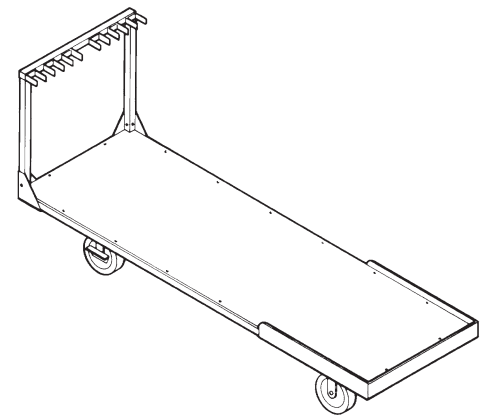
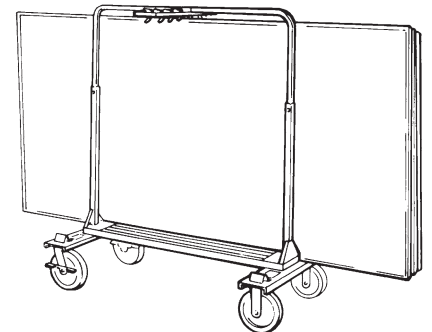
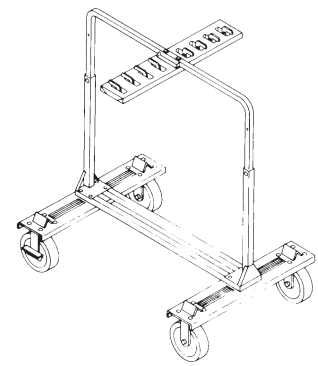
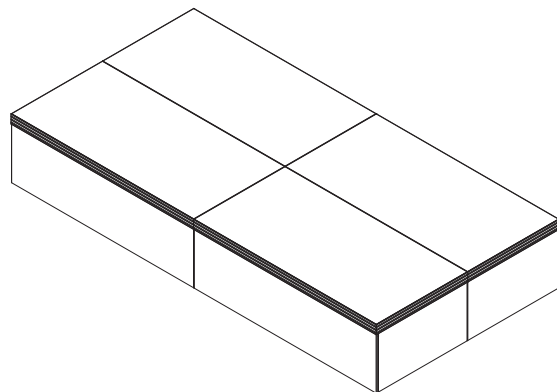
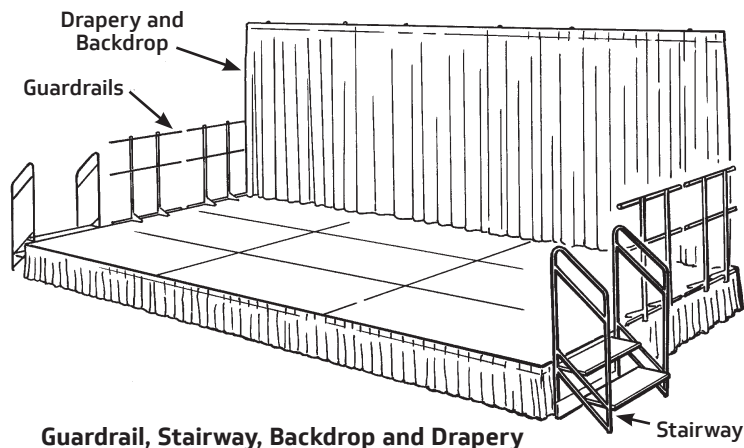
- 2-step 113B016 68 lb (31 kg)/3-step 113B026 88 lb (40 kg)
- Stairways include permanently attached handrails for safety and non-slip safety treads
- Steps measure 39"l (991 mm) x 11"w (280 mm)

Rails

- Guardrails comply with many building code requirements for loading
- Guardrails are available with either two cross bars or an infill panel that complies with the 4" (102 mm) sphere rule that appears in many building codes; both designs incorporate a chair stop
- Guardrails are 42"h (1067 mm) with a black powder-coat paint finish; chair stop has a dark grey powder-coat paint finish
- Guardrails clamp to the stage without the need for tools
- Guardrail Cart: 011D800 91 lb (41 kg) stores up to eight Trouper guardrails

Drapery and Backdrop

- Drapery closures are available in heights to match the staging elevations
- Dual height drapery is available for the dual height stages
- Drapery available in a wide variety of colors. 100% fire retardant woven polyester
- Drapery attaches with hook and loop fastening system
- Backdrop frame attaches to guardrails for safety; when installed backdrop is 8' (2439 mm) above the stage
 - Available in 4' (1219 mm), 6' (1829 mm), and 8' (2439 mm) widths



Wenger

JRCLANCY

GEARBOSS

© 2024 Wenger Corporation
USA/2024-04

Minnesota Location

Wenger Phone 800.4WENGER (493-6437) Wenger Worldwide +1.507.455.4100 | Parts & Service 800.887.7145 | wengercorp.com
GearBoss Phone 800.493.6437 | gearboss.com
555 Park Drive, PO Box 448 | Owatonna | MN 55060

New York Location

J.R. Clancy Phone 800.836.1885 JR Clancy Worldwide +1.315.451.3440 | jrclancy.com | 7041 Interstate Island Road | Syracuse | NY 13209